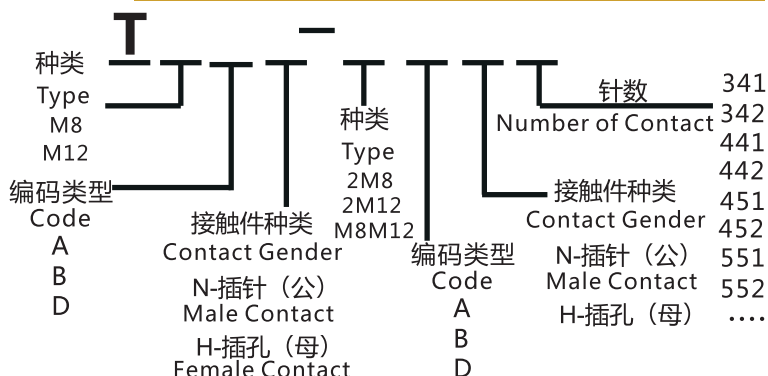




## T型分路连接器



## 型号标志代号 PART NUMBER SYSTEM


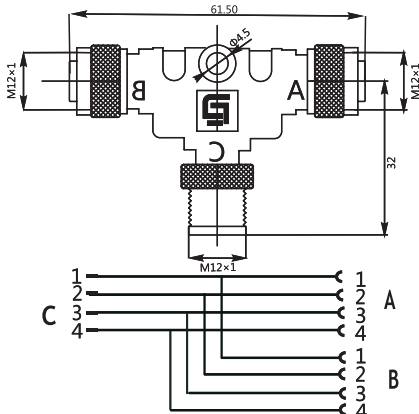

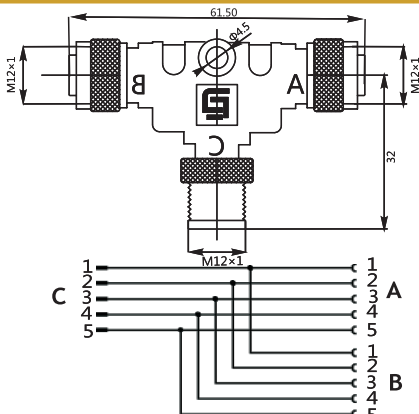

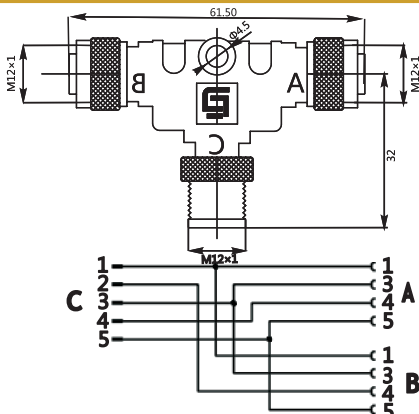

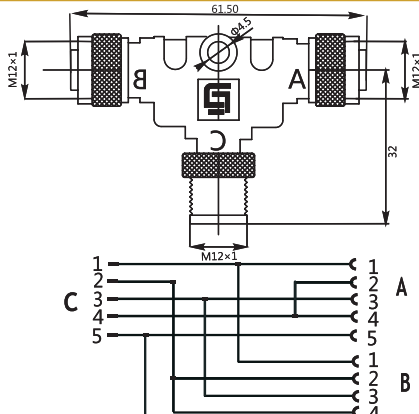


## 材料和技术参数 Material & Specifications

技术参数 Specifications	M12-M8	M12-M12		
针数 Number of Contact	3/4	4/4	4/5	5/5
锁紧方式 Coupling	螺纹锁紧 Threaded Coupling			
接线方式 Termination	—			
连接截面 Wire gauge	—			
电缆直径 Cable Diameter	—			
防护等级 Degree Of Protection	IP68			
接插次数 Mating Cycle	≥100次 ≥100 mating cycles			
工作温度范围 Temperature Range	-25°C--+85°C			
额定电压(AC.V) Rated Voltage	60V	250V		60V
耐压 (AC.V) <sub>1min</sub> Withstanding Voltage	1500V	2500V		1500V
污染等级 Pollution Level	3			
过电保护等级	II			
绝缘组别 Insulation Division	II			
额定电流 (A) Rated Current	4A			
接触电阻 (mΩ) Contact Resistance	≤3mΩ			
接触件材料 Contact Material	Cu(铜)			
接触件电镀材料 Contact plating	Au(金)			
外壳材料 Shell Material	PUR/PVC			
绝缘体材料 Insert Material	PUR/PVC			

# T型连接器系列 T connectors series



<p>图例描述 Description Figure</p>	<p>尺寸图 Drawing unit:mm</p>	<p>针数 Contacts</p>	<p>订货号 Ordering No.</p>
<p>T型连接器 针座M12×1-2孔座M12×1 Male connector M12 x 1 - - 2 female connectors M12 x 1</p> 		<p>4 / 4</p>	<p>TM12N-2M12H441 (A) (A)(A)</p>
<p>T型连接器 针座M12×1-2孔座M12×1 Male connector M12 x 1 - - 2 female connectors M12 x 1</p> 		<p>5 / 5</p>	<p>TM12N-2M12H551 (A) (A)(A)</p>
<p>T型连接器 针座M12×1-2孔座M12×1 Male connector M12 x 1 - - 2 female connectors M12 x 1</p> 		<p>4 / 5</p>	<p>TM12N-2M12H452 (A) (A)(A)</p>
<p>T型连接器 针座M12×1-2孔座M12×1 Male connector M12 x 1 - - 2 female connectors M12 x 1</p> 		<p>5 / 5</p>	<p>TM12N-2M12H552 (A) (A)(A)</p>