

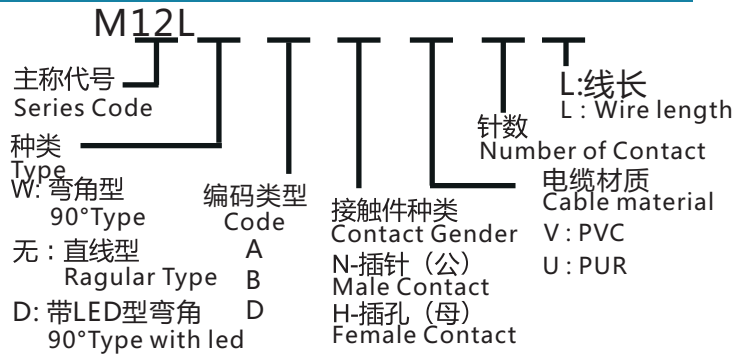
M12系列 M12 SERIES



M12浇铸型连接器



型号标志代号 PART NUMBER SYSTEM




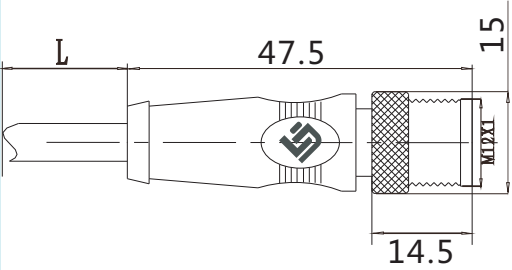

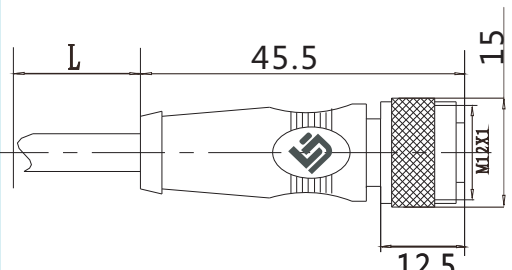

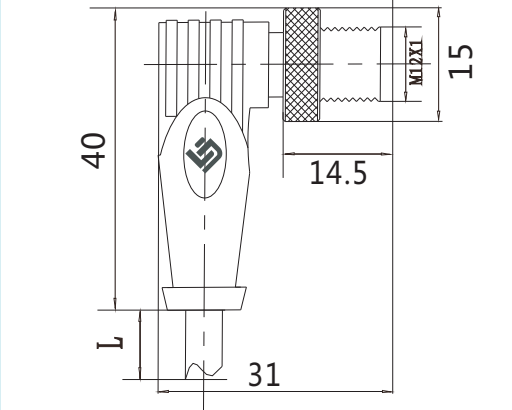

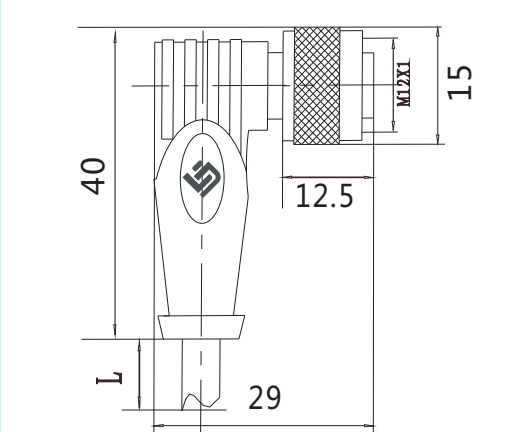
材料和技术参数

Material & Specifications

针数 Number of Contact	3	4	5	8
针位排列(从针端看) The Contact arranges (Comply with the needle direction)				
锁紧方式 Coupling	螺纹锁紧 Threaded Coupling			
接线方式 Termination	压接, 浇铸电缆/crimp,moulded-on cable			
连接截面 Wire gauge	0.34mm ² (AWG22)		0.25mm ² (AWG24)	
电缆直径 Cable Diameter	—			
防护等级 Degree Of Protection	IP67			
接插次数 Mating Cycle	≥100次 ≥100 mating cycles			
工作温度范围 Temperature Range	-25°C--+85°C			
额定电压(AC.V) Rated Voltage	三芯、四芯250V,五芯60V,八芯30V ; 10-30V带LED/with LED			
耐压 (AC.V) ^{1min} Withstanding Voltage	三芯、四芯2500V,五芯1500V,八芯800V ; 500V带LED/with LED			
污染等级 Pollution Level	3			
过电保护等级	II			
绝缘组别 Insulation Division	II			
额定电流 (A) Rated Current	4A			
接触电阻 (mΩ) Contact Resistance	≤3mΩ			
接触件材料 Contact Material	Cu(铜)			
接触件电镀材料 Contact plating	Au(金)			
外壳材料 Shell Material	PUR/PVC			
绝缘体材料 Insert Material	PUR/PVC			


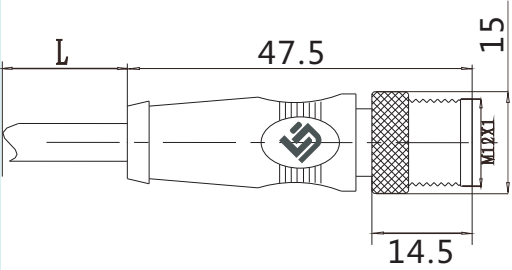

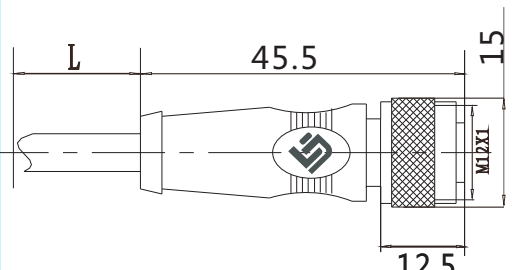

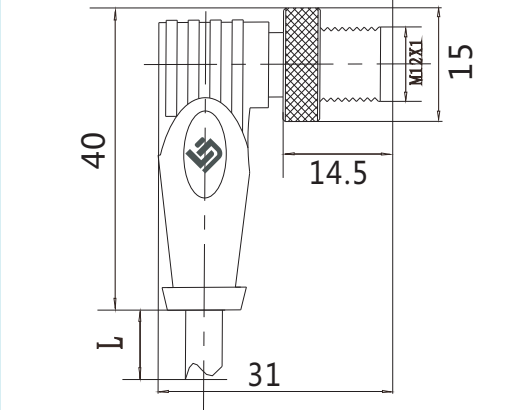

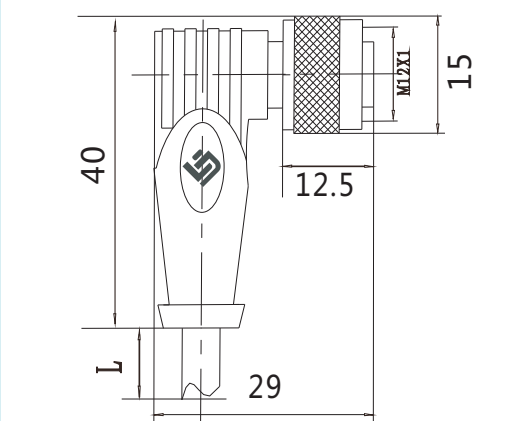
M12系列 M12 SERIES



图例描述 Description Figure	尺寸图 Drawing unit:mm	针数 Contacts	电缆材质 Cable material	订货号 Ordering No.
A型直线型公头,针,带线一体 Male Cable Plug moulded,Regular Type threaded Coupling(meta) 		3	PVC	M12LAN-V3-L
		3	PUR	M12LAN-U3-L
		4	PVC	M12LAN-V4-L
		4	PUR	M12LAN-U4-L
		5	PVC	M12LAN-V5-L
		5	PUR	M12LAN-U5-L
8	PVC	M12LAN-V8-L		
8	PUR	M12LAN-U8-L		
A型直线型母头,孔,带线一体 Female Cable Plug moulded,Regular Type threaded Coupling(meta) 		3	PVC	M12LAH-V3-L
		3	PUR	M12LAH-U3-L
		4	PVC	M12LAH-V4-L
		4	PUR	M12LAH-U4-L
		5	PVC	M12LAH-V5-L
		5	PUR	M12LAH-U5-L
8	PVC	M12LAH-V8-L		
8	PUR	M12LAH-U8-L		
A型弯头型公头,针,带线一体 Male Cable Plug moulded,90°Type threaded Coupling(meta) 		3	PVC	M12LWAN-V3-L
		3	PUR	M12LWAN-U3-L
		4	PVC	M12LWAN-V4-L
		4	PUR	M12LWAN-U4-L
		5	PVC	M12LWAN-V5-L
		5	PUR	M12LWAN-U5-L
8	PVC	M12LWAN-V8-L		
8	PUR	M12LWAN-U8-L		
A型弯头型母头,孔,带线一体 Female Cable Plug moulded,90° Type threaded Coupling(meta) 		3	PVC	M12LWAH-V3-L
		3	PUR	M12LWAH-U3-L
		4	PVC	M12LWAH-V4-L
		4	PUR	M12LWAH-U4-L
		5	PVC	M12LWAH-V5-L
		5	PUR	M12LWAH-U5-L
8	PVC	M12LWAH-V8-L		
8	PUR	M12LWAH-U8-L		


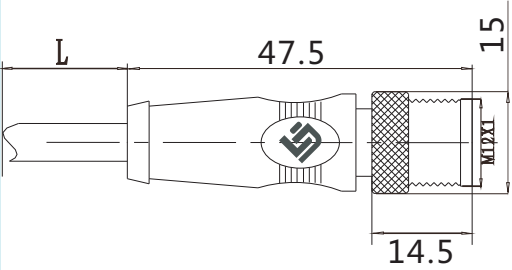

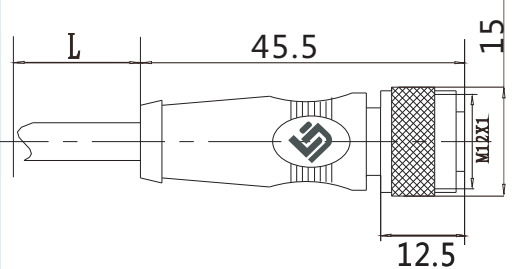

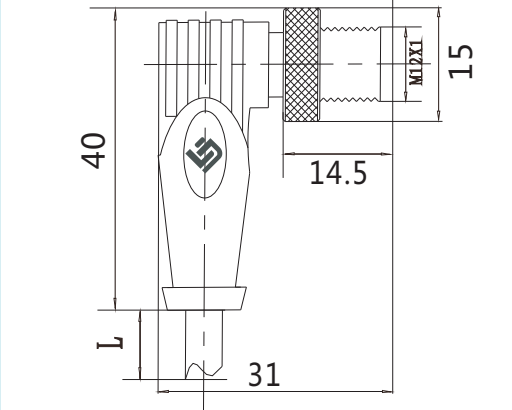

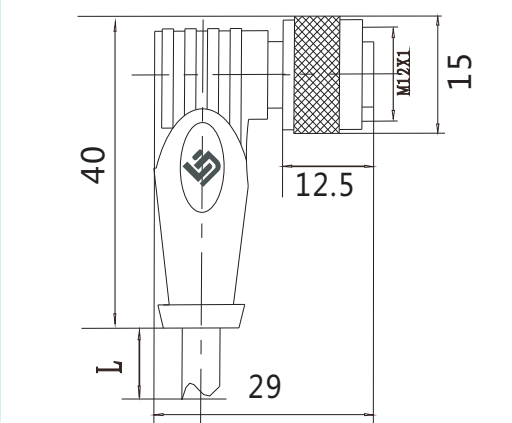
M12系列 M12 SERIES



图例描述 Description Figure	尺寸图 Drawing unit:mm	针数 Contacts	电缆材质 Cable material	订货号 Ordering No.
B型直线型公头,针,带线一体 Male Cable Plug moulded,Regular Type threaded Coupling(meta) 		3	PVC	M12LBN-V3-L
		PUR	M12LBN-U3-L	
		4	PVC	M12LBN-V4-L
		PUR	M12LBN-U4-L	
		5	PVC	M12LBN-V5-L
		PUR	M12LBN-U5-L	
B型直线型母头,孔,带线一体 Female Cable Plug moulded,Regular Type threaded Coupling(meta) 		3	PVC	M12LBH-V3-L
		PUR	M12LBH-U3-L	
		4	PVC	M12LBH-V4-L
		PUR	M12LBH-U4-L	
		5	PVC	M12LBH-V5-L
		PUR	M12LBH-U5-L	
B型弯头型公头,针,带线一体 Male Cable Plug moulded,90°Type threaded Coupling(meta) 		3	PVC	M12LWBN-V3-L
		PUR	M12LWBN-U3-L	
		4	PVC	M12LWBN-V4-L
		PUR	M12LWBN-U4-L	
		5	PVC	M12LWBN-V5-L
		PUR	M12LWBN-U5-L	
B型弯头型母头,孔,带线一体 Female Cable Plug moulded,90° Type threaded Coupling(meta) 		3	PVC	M12LWBH-V3-L
		PUR	M12LWBH-U3-L	
		4	PVC	M12LWBH-V4-L
		PUR	M12LWBH-U4-L	
		5	PVC	M12LWBH-V5-L
		PUR	M12LWBH-U5-L	


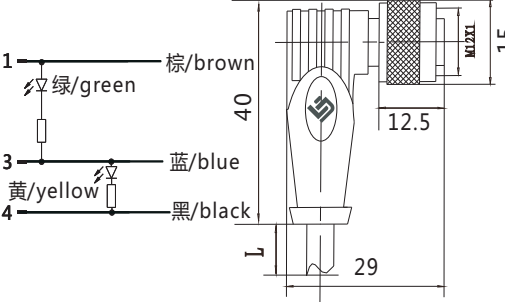

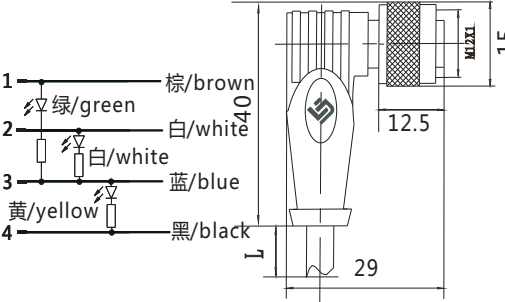

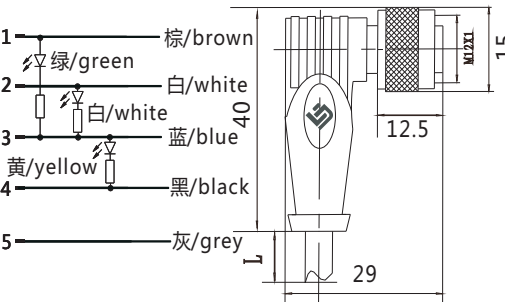
M12系列 M12 SERIES



图例描述 Description Figure	尺寸图 Drawing unit:mm	针数 Contacts	电缆材质 Cable material	订货号 Ordering No.
D型直线型公头,针,带线一体 Male Cable Plug moulded,Regular Type threaded Coupling(meta) 		3	PVC	M12LDN-V3-L
			PUR	M12LDN-U3-L
		4	PVC	M12LDN-V4-L
			PUR	M12LDN-U4-L
		5	PVC	M12LDN-V5-L
			PUR	M12LDN-U5-L
D型直线型母头,孔,带线一体 Female Cable Plug moulded,Regular Type threaded Coupling(meta) 		3	PVC	M12LDH-V3-L
			PUR	M12LDH-U3-L
		4	PVC	M12LDH-V4-L
			PUR	M12LDH-U4-L
		5	PVC	M12LDH-V5-L
			PUR	M12LDH-U5-L
D型弯头型公头,针,带线一体 Male Cable Plug moulded,90°Type threaded Coupling(meta) 		3	PVC	M12LWDN-V3-L
			PUR	M12LWDN-U3-L
		4	PVC	M12LWDN-V4-L
			PUR	M12LWDN-U4-L
		5	PVC	M12LWDN-V5-L
			PUR	M12LWDN-U5-L
D型弯头型母头,孔,带线一体 Female Cable Plug moulded,90° Type threaded Coupling(meta) 		3	PVC	M12LWDH-V3-L
			PUR	M12LWDH-U3-L
		4	PVC	M12LWDH-V4-L
			PUR	M12LWDH-U4-L
		5	PVC	M12LWDH-V5-L
			PUR	M12LWDH-U5-L

M12系列 M12 SERIES



图例描述 Description Figure	尺寸图 Drawing unit:mm	针数 Contacts	电缆材质 Cable material	订货号 Ordering No.
A型弯头型母头,带线一体,带LED Female Cable Plug moulded,90° Type threaded Coupling(meta),with led 		3	PVC	M12LDAH-V3-L
A型弯头型母头,带线一体,带LED Female Cable Plug moulded,90° Type threaded Coupling(meta),with led 		4	PVC	M12LDAH-V4-L
A型弯头型母头,带线一体,带LED Female Cable Plug moulded,90° Type threaded Coupling(meta),with led 		5	PVC	M12LDAH-V4-L
			PUR	M12LDAH-U4-L

关于两端都带连接器的M12浇铸型电缆订制的说明：

我司可以根据客户实际需求，生产符合要求的浇铸型电缆；客户可以选择电缆护套PVC或PUR,客户可以对电缆长度L提出自己需求，客户可以对M12连接器的芯数、形态及code提出自己的需求。

例如:

M12LDAH-U4-L-M12LWBN,表示4芯L长的PUR电缆，两端分别浇铸M12A型弯角母头带灯和M12B型弯角公头。

M12系列 M12 SERIES



针位图

Contact arrangements

3针

3 contacts

插针(带线)

Male insert(wire)

插孔(带线)

Female insert(wire)



	X	Y		
1	2.5	0.0	棕	brown
2	—	—	—	—
3	-2.5	0.0	蓝	blue
4	0.0	-2.5	黑	black
5	—	—	—	—



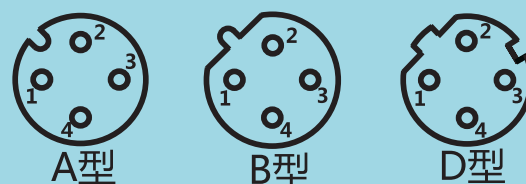
	X	Y		
1	-2.5	0.0	棕	brown
2	—	—	—	—
3	2.5	0.0	蓝	blue
4	0.0	-2.5	黑	black
5	—	—	—	—

4针

4 contacts



	X	Y		
1	2.5	0.0	棕	brown
2	0.0	2.5	白	white
3	-2.5	0.0	蓝	blue
4	0.0	-2.5	黑	black
5	—	—	—	—



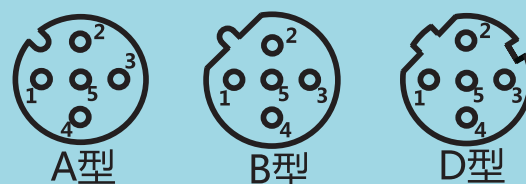
	X	Y		
1	-2.5	0.0	棕	brown
2	0.0	2.5	白	white
3	2.5	0.0	蓝	blue
4	0.0	-2.5	黑	black
5	—	—	—	—

5针

5 contacts



	X	Y		
1	2.5	0.0	棕	brown
2	0.0	2.5	白	white
3	-2.5	0.0	蓝	blue
4	0.0	-2.5	黑	black
5	0.0	0.0	灰	grey



	X	Y		
1	-2.5	0.0	棕	brown
2	0.0	2.5	白	white
3	2.5	0.0	蓝	blue
4	0.0	-2.5	黑	black
5	0.0	0.0	灰	grey

M12系列 M12 SERIES



针位图

Contact arrangements

插针(带线)

Male insert(wire)

插孔(带线)

Female insert(wire)



A型6芯 A型7芯 A型8芯



A型6芯 A型7芯 A型8芯

6针

6 contacts

	X	Y		
1	2.69	0.57	白	white
2	0.57	2.69	棕	brown
3	-1.66	2.20	绿	green
4	-2.75	0.19	黄	yellow
5	—	—	—	—
6	0.19	-2.75	粉	pink
7	2.20	-1.65	蓝	blue
8	—	—	—	—

	X	Y		
1	-2.69	0.57	白	white
2	-0.57	2.69	棕	brown
3	1.66	2.20	绿	green
4	2.75	0.19	黄	yellow
5	—	—	—	—
6	-0.19	-2.75	粉	pink
7	-2.20	-1.65	蓝	blue
8	—	—	—	—

7针

7 contacts

	X	Y		
1	2.69	0.57	白	white
2	0.57	2.69	棕	brown
3	-1.66	2.20	绿	green
4	-2.75	0.19	黄	yellow
5	-1.94	-1.94	灰	grey
6	0.19	-2.75	粉	pink
7	2.20	-1.65	蓝	blue
8	—	—	—	—

	X	Y		
1	-2.69	0.57	白	white
2	-0.57	2.69	棕	brown
3	1.66	2.20	绿	green
4	2.75	0.19	黄	yellow
5	1.94	-1.94	灰	grey
6	-0.19	-2.75	粉	pink
7	-2.20	-1.65	蓝	blue
8	—	—	—	—

8针

8 contacts

	X	Y		
1	2.69	0.57	白	white
2	0.57	2.69	棕	brown
3	-1.66	2.20	绿	green
4	-2.75	0.19	黄	yellow
5	-1.94	-1.94	灰	grey
6	0.19	-2.75	粉	pink
7	2.20	-1.65	蓝	blue
8	0.00	0.00	红	red

	X	Y		
1	-2.69	0.57	白	white
2	-0.57	2.69	棕	brown
3	1.66	2.20	绿	green
4	2.75	0.19	黄	yellow
5	1.94	-1.94	灰	grey
6	-0.19	-2.75	粉	pink
7	-2.20	-1.65	蓝	blue
8	0.00	0.00	红	red